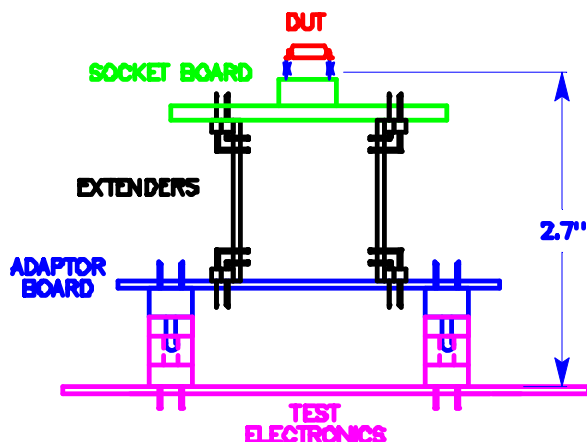


# Resistor Network Tester



- Measures resistors; in series, bridge, and buried node configurations
- Super fast test times; less than 1 second with accuracy & repeatability
- Test devices with up to 40 pins
- Measures: 0.100 ohms to 10,000,000 ohms
- *Particle Interconnect* sockets make low resistance testing practical
- Built-in current source and volt meter
- Fast calibration to known internal or “golden unit” resistors
- Built-in PC-104; no additional computer required; network ready
- MS Windows operator interface; every test data-log standard
- Self calibrates after every test, while handler is loading new device



## DUT to Test Electronics

Short electrical path

No cables – As few as 3 connections

100% Solid State – no relays

*Particle Interconnect* test sockets for  
ANY SMD device

- Number of test pins: 40
- Measurement time: Less than 5 microseconds per test
- Programmable # of measurements per pin to average out noise/errors
- Current source: 0 to 50 milliamps, with a 5 volt limit; 16 bit DAC
- Very high impedance voltmeter: 20 bit ADC
- Guard voltage power supply
- 8 internal precision calibration resistors
- Accuracy:
  - 0.100 to 100.0 ohms: +/- 0.1%
  - 100 ohms to 1 Meg-ohms: +/- 0.01%
  - 1 Meg to 10 Meg-ohms: +/- 0.1%
- “On the fly” data-log of all tests, per each part tested
- PC-Anywhere software for remote service and updates
- Test data log in ASCII or Excel spread sheet format
- Handler interface, 2 spare RS-232 ports, printer port standard
- Flat screen monitor, keyboard, mouse, included

Size: 7” W, 14.5” D, 9.3” T

Weight: 20.6 pounds

Power: 100/240 VAC, 50/60 Hz

No air required

Bench top operation

1-year factory warranty

**Options:**

Test sockets as required

Non-exatron handler docking

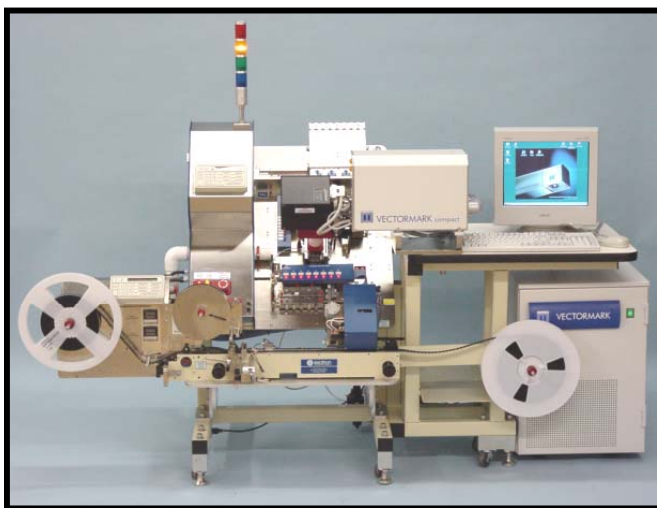
Capacitance test

Bar code operator set up

Spare parts kit

On-site installation

**Model 5000 Handler**



**Direct dock to handler**

