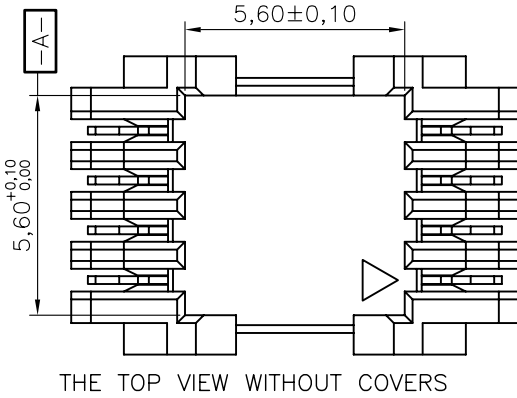
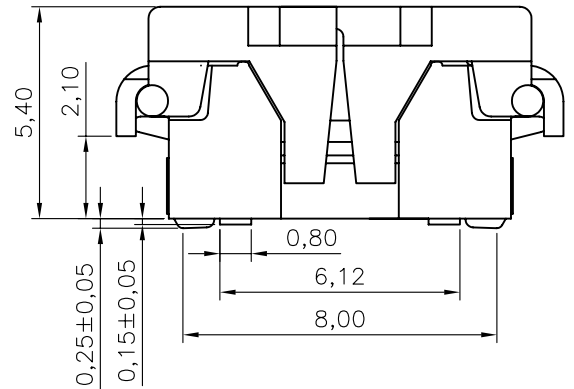
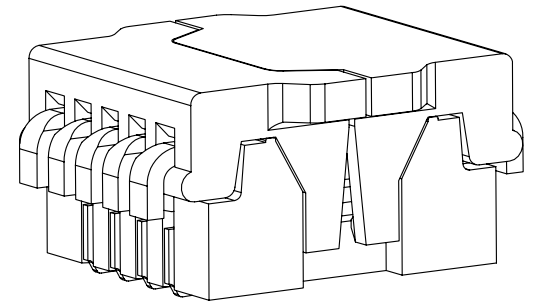
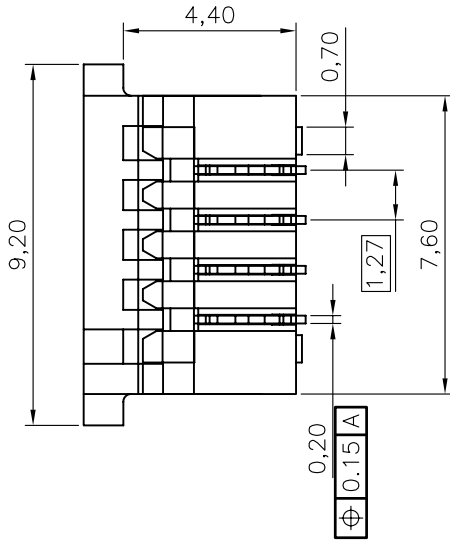
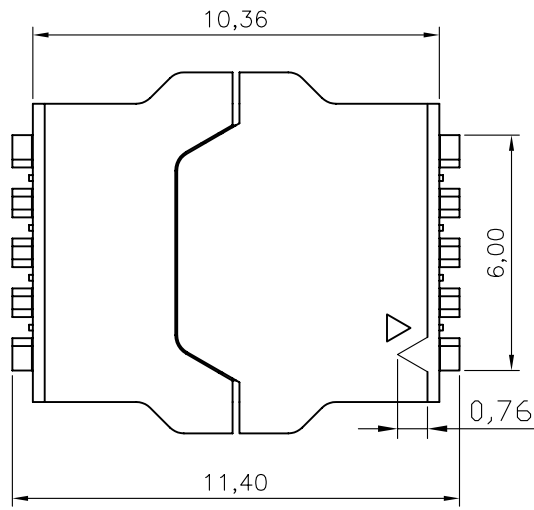


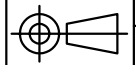
REV.	ECN NO. / DESCRIPTION	DATE
5	SN60207	11/30'06
6	SN60243	12/23'06



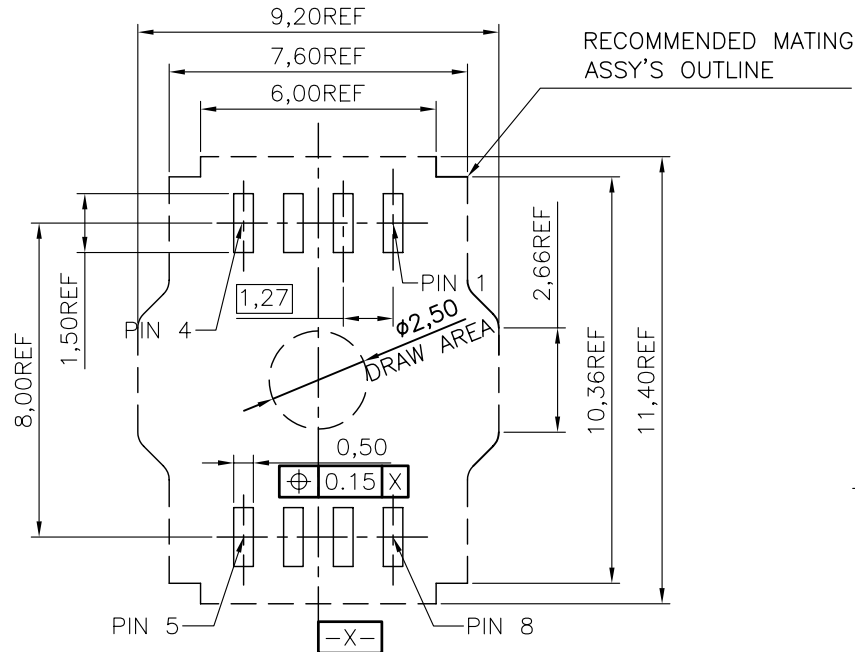
NOTES:
 1.MATERIALS:
 HOUSING:LCP UL 94V-0,COLOR:BLACK.
 COVER: LCP UL 94V-0,COLOR:BLACK.
 SIGNAL TERMINAL&G-TERMINAL: BRONZE.
 2.TOLERANCES NON-CUMULATIVE.
 3.ACCORDING TO THE ENVIRONMENTAL PROTECTION'S QUIREMENT CERTIFICATE OF NON-USE OF THE CONTROLLED SUBSTANCES.

PART NO	DESCRIPTION
ACA-SPI-004-K01	LCP_BLACK;COPPER ALLOY_G/F
ACA-SPI-004-K03	LCP_BLACK ; COPPER ALLOY_Sn80~120u"

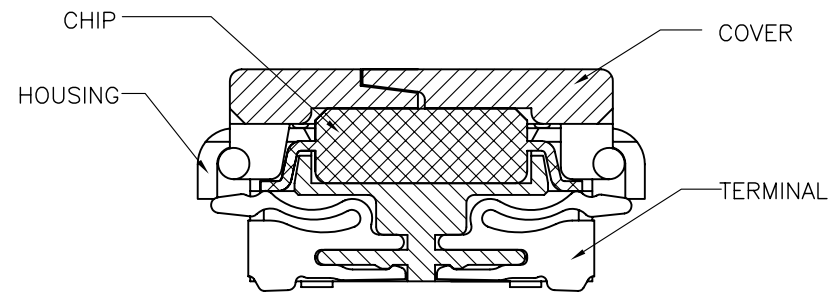
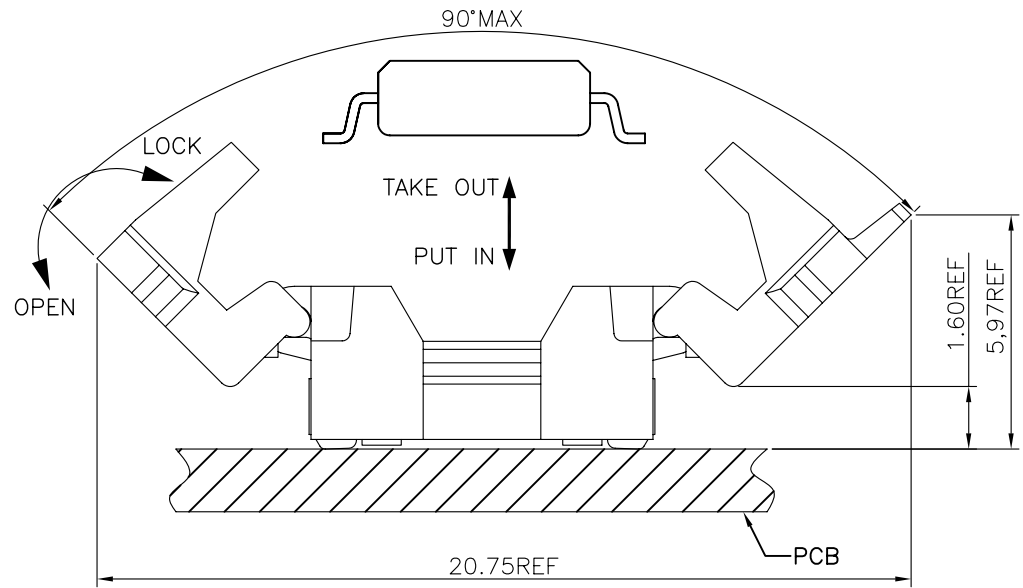
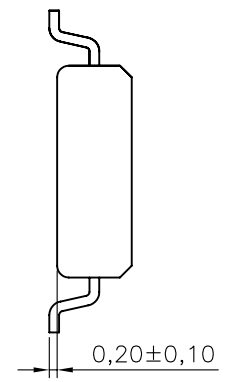
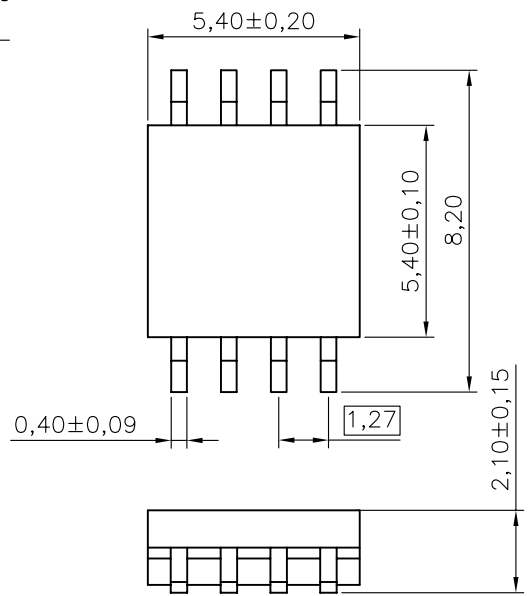
GENERAL TOLERANCES UNLESS SPECIFIED		PART NO.	CHUPOND AMERICA		
.X ±0.35	X.° ±3°	SEE TABLE	TITLE		
.XX ±0.25	.X.° ±2°	APPROVED BY	SPI FLASH SOCKET FOR SOIC 8PIN		
.XXX ±0.15	.XX.° ±1°	CHECKED BY	DWG NO.		
CUSTOMER DRAWING		DRAWN BY	AP-ACA-SPI-004-K		
SIZE	UNITS	Anny_Li 12/23'06	SHEET	SCALE	REV
A4	MM[INCH]				



REV.	ECN NO. / DESCRIPTION	DATE
5	SN60207	11/30'06
6	SN60243	12/23'06



RECOMMENDED PCB LAYOUT FOR USE
CONNECTOR MOUNTING SIDE



GENERAL TOLERANCES UNLESS SPECIFIED		PART NO. SEE TABLE	CHUPOND AMERICA		
.X ±0.35	X.° ±3°		APPROVED BY	TITLE SPI FLASH SOCKET FOR SOIC 8PIN	
.XX ±0.25	.X.° ±2°	CHECKED BY	DWG NO. AP-ACA-SPI-004-K		
.XXX ±0.15	.XX.° ±1°	DRAWN BY Anny_Li 12/23'06	SHEET 2/2	SCALE 5 : 1	REV 6
CUSTOMER DRAWING					
SIZE A4	UNITS MM[INCH]				

