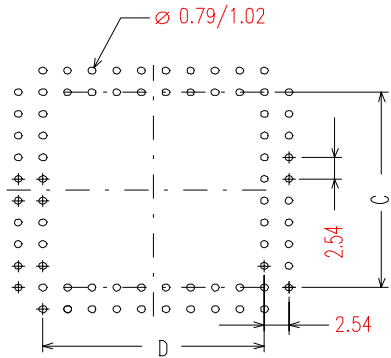
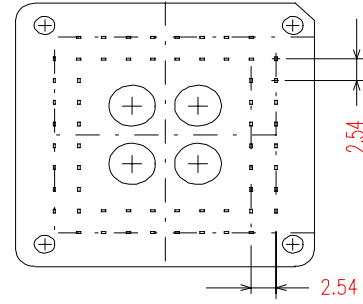
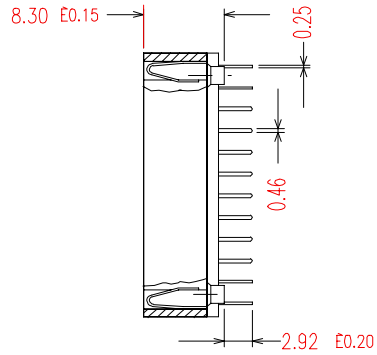
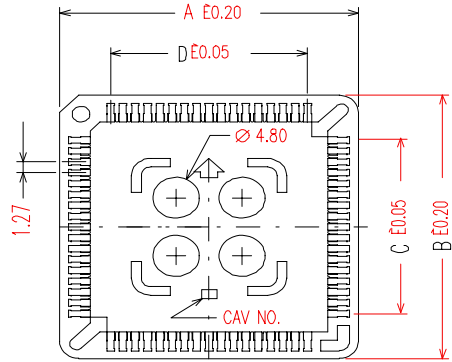



CUSTOMER DRAWING ONLY



RECOMMENDED P.C.B. LAYOUT

| NO.OF POSITION | DIMENSION (MM) | | | |
|----------------|----------------|-------|-------|-------|
| | A | B | C | D |
| 20 | 15.56 | 15.56 | 5.08 | 5.08 |
| 28 | 18.10 | 18.10 | 7.62 | 7.62 |
| 32 | 18.10 | 20.64 | 10.16 | 7.62 |
| 44 | 23.18 | 23.18 | 12.70 | 12.70 |
| 52 | 25.72 | 25.72 | 15.24 | 15.24 |
| 68 | 30.80 | 30.80 | 20.32 | 20.32 |
| 84 | 35.88 | 35.88 | 25.40 | 25.40 |
| 100 | 40.96 | 40.96 | 30.48 | 30.48 |

| | | | |
|-----------------------------|---------------------------|---|---|
| Drawn By: LJ, H | Checked By: PFR | Material: Insulator: PPS Contact: Phosphor Bronze |  Chupond America, Inc. 6168 Greenhill Rd., New Hope, PA 18938-9630, USA TITLE: PLCC Thru-Hole Sockets ENG. #: 0900-XXX-X-X Rev. |
| Drawn: 9/24/94 | Scale: None | Plating: 150 μ " SnPb ove 50 μ " min Ni | |
| Released: 9/25/94 | Sheet 1 of 1 | Tolerances: ± 0.125 mm; ± 0.25 mm; and $\pm 2^\circ$ | |