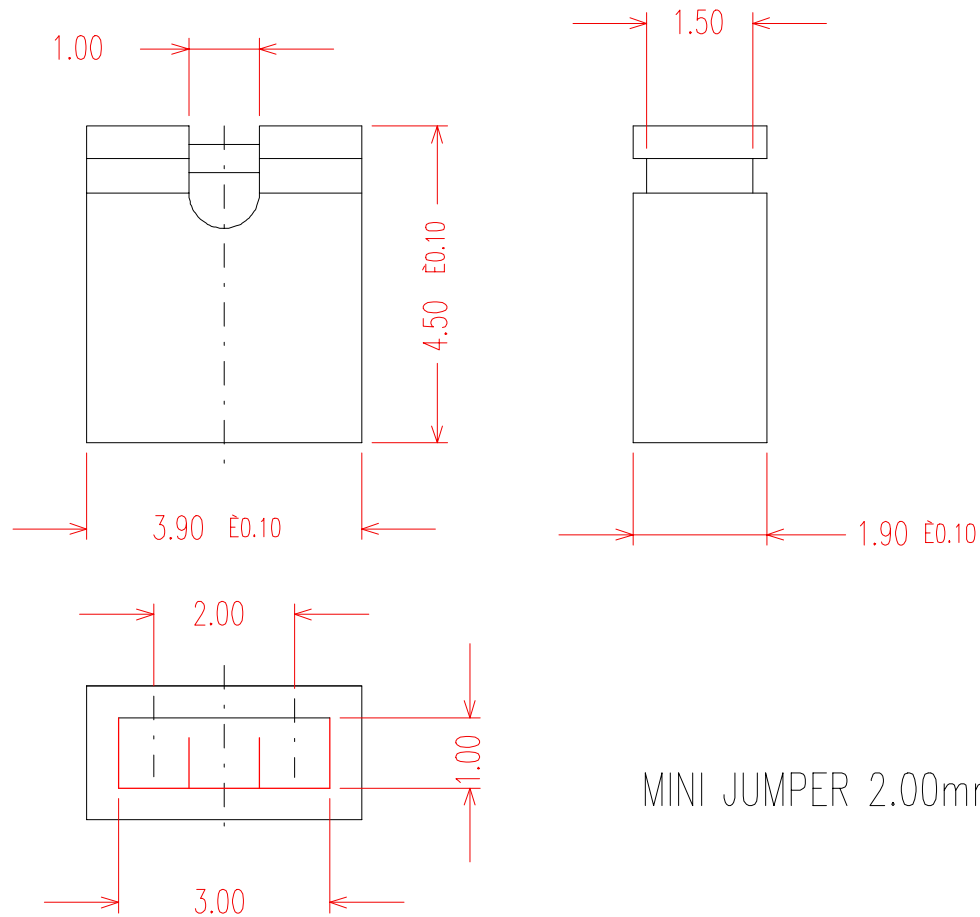


CUSTOMER DRAWING ONLY



MINI JUMPER 2.00mm

Drawn By: LJ, H	Checked By: PFR	Material: Insulator: PBT Contacts: Phosphor Bronze	Chupond America, Inc. 6168 Greenhill Road, New Hope, PA 18938	
Drawn: 9/24/94	Scale: None	Plating: Flash Au over Ni	TITLE: MINI JUMPER 2.00mm PITCH	
Released: 9/24/94	Sheet 1 of 1	Tolerances: ± 0.125mm; ± 0.25mm; and ±2°	ENG. #: 0501-X-X-XX-X-X	Rev.