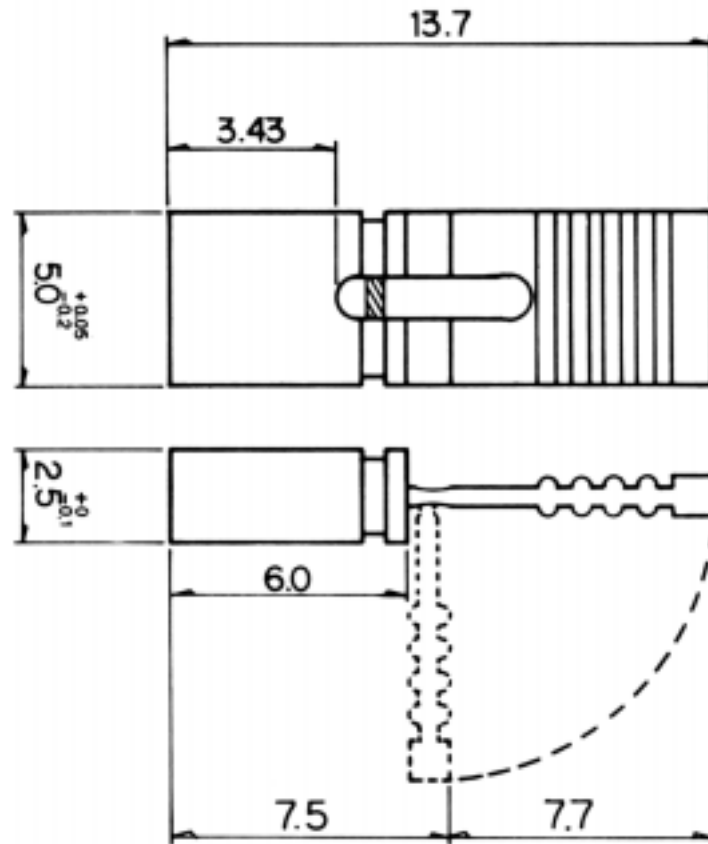



CUSTOMER DRAWING ONLY



Drawn By: LJ, H	Checked By: PFR	Material: Insulator: Glass-filled Polyester Contacts: Phosphor Bronze	 Chupond America, Inc. 6168 Greenhill Rd., New Hope, PA 18938-9630, USA
Drawn: 1/15/91	Scale: None	Plating: Au or SnPb: All platings with an underplating of 50μ" Ni min.	
Released: 1/15/91	Sheet 1 of 1	Tolerances: ± 0.125mm; ± 0.25mm; and ±2°	ENG. #: 0500-C-X-XX-X-X Rev.

This drawing contains information proprietary to Chupond America, Inc. and cannot be used without permission