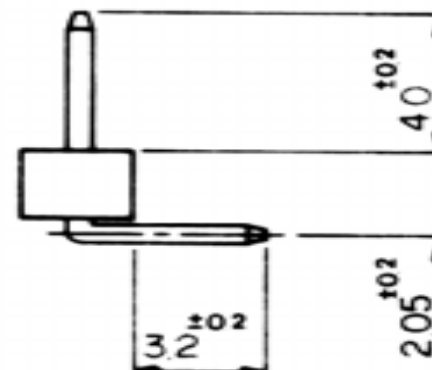
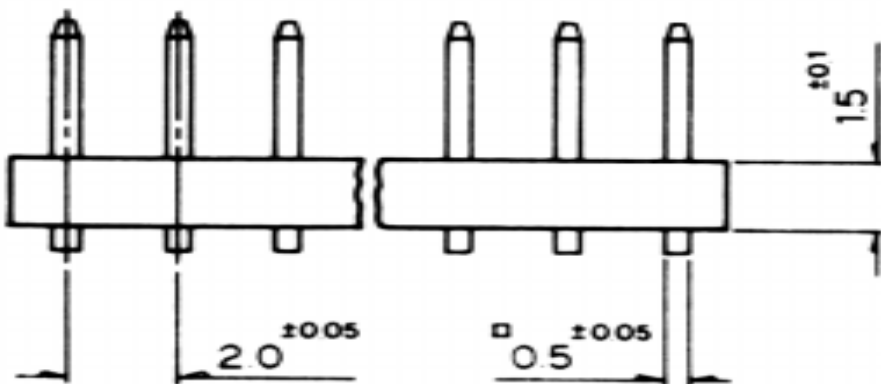
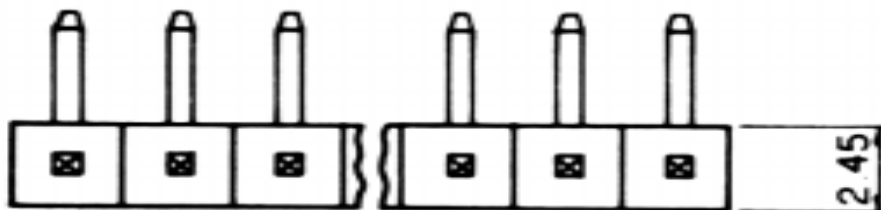


CUSTOMER DRAWING ONLY



Drawn By: LJ, H	Checked By: PFR	Material: Insulator: PBT Contact: Brass	CAI Chupond America, Inc. 6168 Greenhill Rd., New Hope, PA 18938-9630, USA TITLE: SR RA 2.00mm Pin Header ENG. #: 0302-1-XX-R-X-XX Rev.
Drawn: 9/23/94	Scale: None	Plating: Au over Ni, or SnPb over Ni	
Released: 9/25/94	Sheet 1 of 1	Tolerances: $\pm 0.125\text{mm}$; $\pm 0.25\text{mm}$; and $\pm 2^\circ$	

This drawing contains information proprietary to Chupond America, Inc. and cannot be used without permission