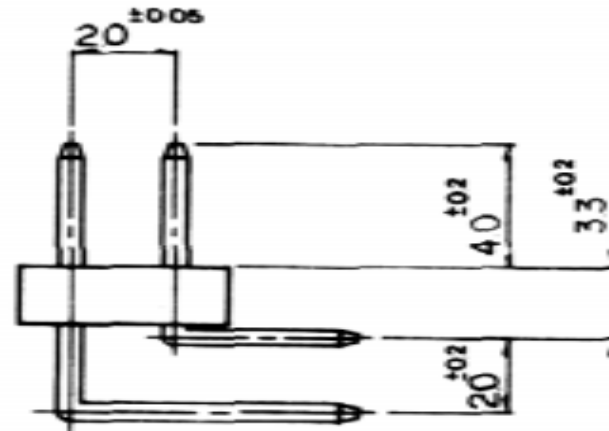
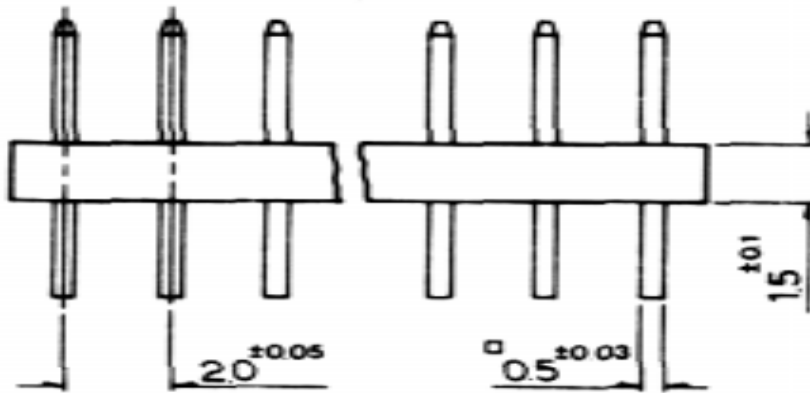
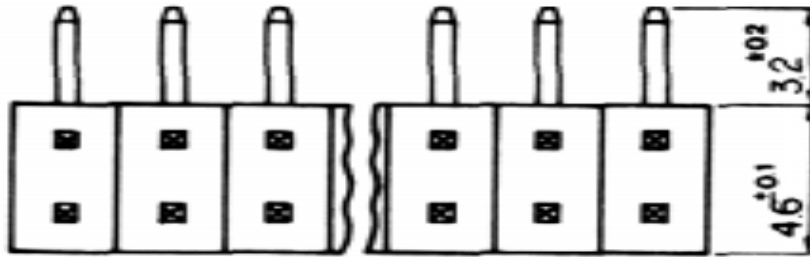


CUSTOMER DRAWING ONLY



Drawn By: LJ, H	Checked By: PFR	Material: Insulator: PBT Contact: Brass	CAI Chupond America, Inc. 6168 Greenhill Rd., New Hope, PA 18938-9630, USA	
Drawn: 9/23/94	Scale: None	Plating: Au over Ni, or SnPb over Ni		TITLE: DR RA 2.00mm Pin Header
Released: 9/25/94	Sheet 1 of 1	Tolerances: ± 0.125mm; ± 0.25mm; and ± 2°		ENG. #: 0302-2-XX-R-X-XX Rev.

This drawing contains information proprietary to Chupond America, Inc. and cannot be used without permission