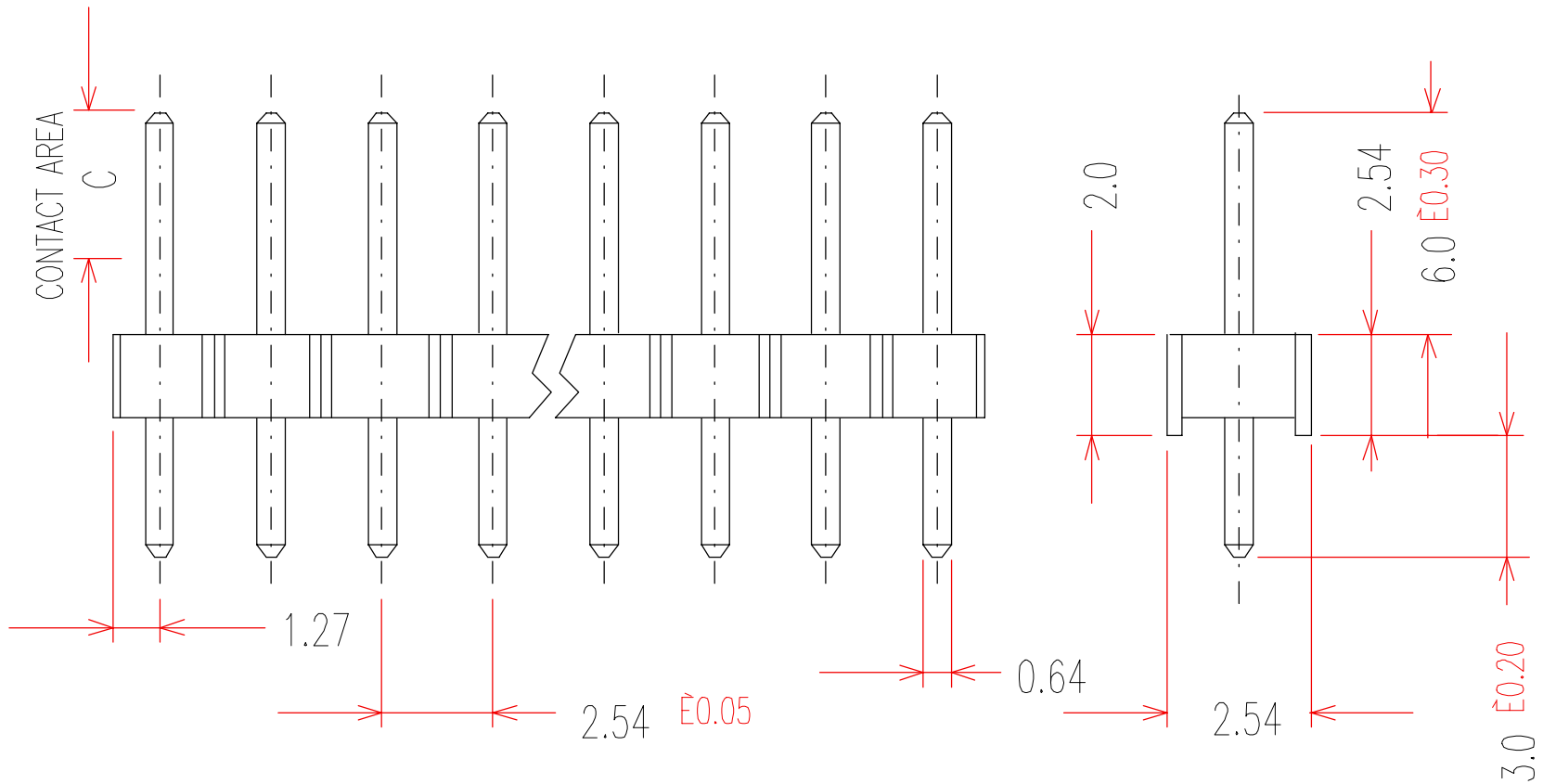


CUSTOMER DRAWING ONLY



Drawn By: LJ, H	Checked By: PFR	Material: Insulator: Polyester UL94V-0 Contact: Brass	Chupond America, Inc. 6168 Greenhill Road, New Hope, PA 18938
Drawn: 10/25/94	Scale: None	Plating: Flash gold	TITLE: SINGLE ROW 2.54mm HEADERS
Released: 10/25/94	Sheet 1 of 1	Tolerances: ± 0.125mm; ± 0.25mm; and ±2°	ENG. #: 0300-1-XX-S-G-02 Rev. ("XX"= Number of Pins)

This drawing contains information proprietary to Chupond America, Inc. and cannot be used without permission