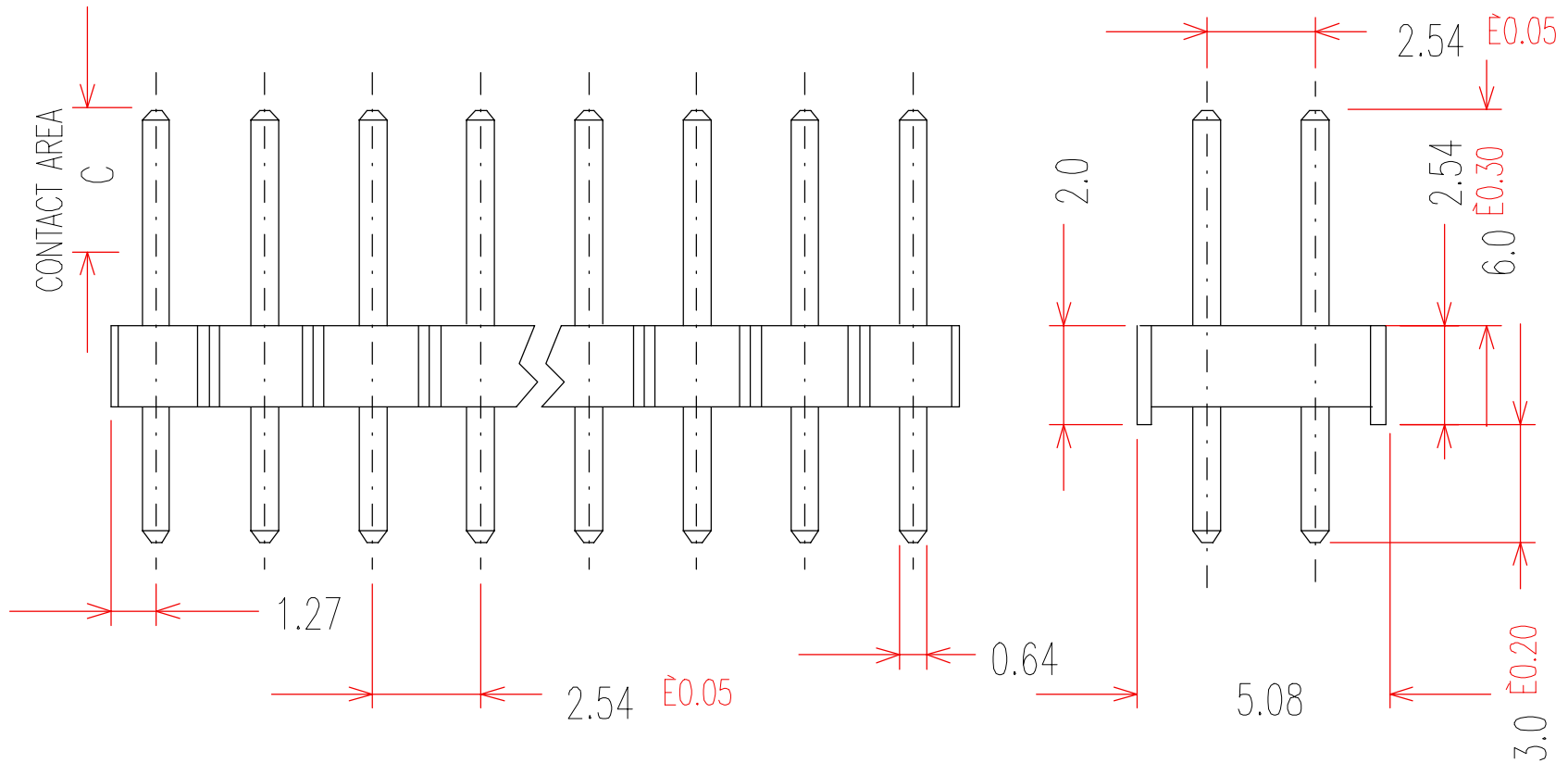


**CUSTOMER DRAWING ONLY**



<b>Drawn By:</b> LJ, H	<b>Checked By:</b> PFR	<b>Material:</b> Insulator: Polyester UL94V-0 Contact: Brass	<b>Chupond America, Inc.</b> 6168 Greenhill Rd., New Hope, PA 18938-9630, USA
<b>Drawn:</b> 10/25/94	<b>Scale:</b> None	<b>Plating:</b> Flash gold	<b>TITLE:</b> DUAL ROW 2.54mm HEADERS
<b>Released:</b> 10/25/94	Sheet 1 of 1	<b>Tolerances:</b> ± 0.125mm; ± 0.25mm; and ±2°	<b>ENG. #:</b> 0300-1-XX-S-G-02      Rev. ( "XX"= Number of Positions)

This drawing contains information proprietary to Chupond America, Inc. and cannot be used without permission